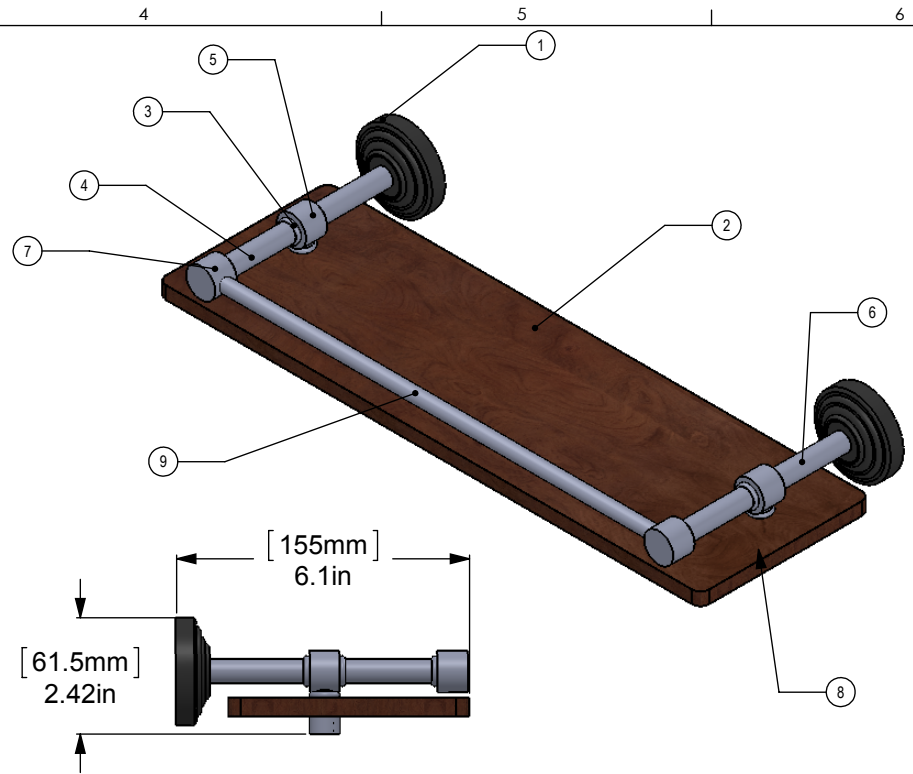
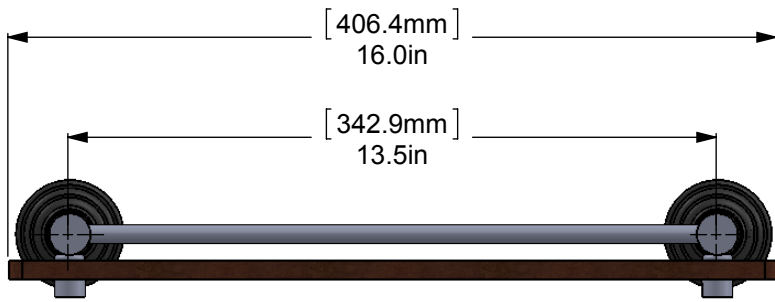


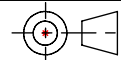
ITEM NO.	PART NUMBER	DESCRIPTION	QTY.
1	BPWV	Back Plate	2
2	IRWRT-16	IPE SHELF	1
3	CRRD-12	Connector	8
4	TU12-1.8	Tube-12, L=1.8	2
5	MR-TILT-FITT	HUB-CON	2
6	TU12-2	Tube-12, L=2	2
7	HBTTT-78	Hub	2
8	CARD-58	LOCK	2
9	TU38-13.5	TUBE -38,L=13.5	2



UNLESS OTHERWISE STATED

.X	±.3mm
.XX	±.15mm
.XXX	±.008mm

COPYRIGHT © Allied Brass 2017



THIRD ANGLE PROJECTION

DRAWN	5/4/2017	I.M
CHECKED	5/4/2017	P.D
APPROVED	5/4/2017	R.A

MATERIAL: BRASS		FINISH	TBD
DESCRIPTION: Waverly Place Collection Solid IPE Ironwood Shelf with Gallery Rail		QUANTITY	TBD
		DRAWING No. WP-1-16-GAL-IRW	
		REV	0
SCALE	1:4	SHEET: 01	A4